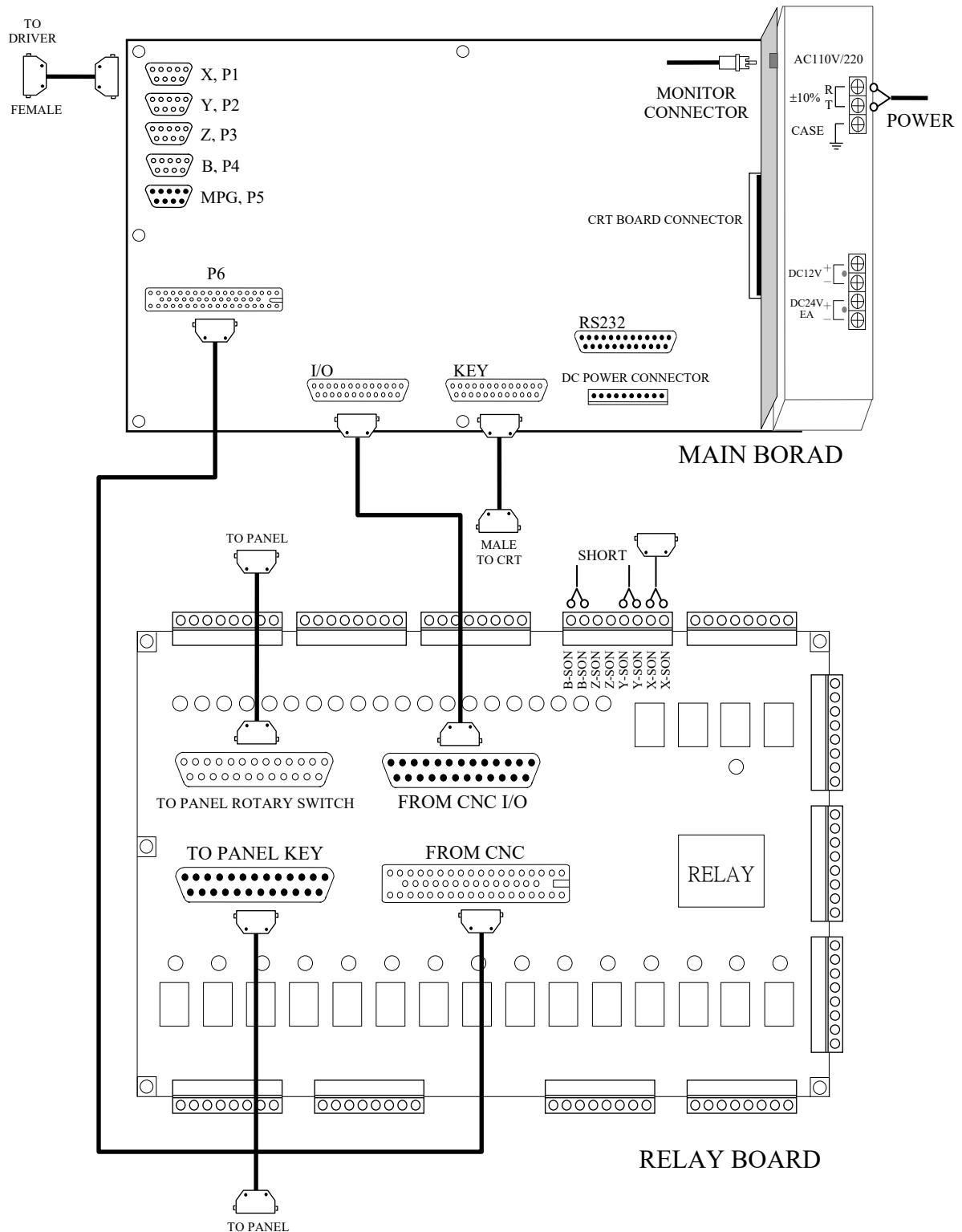
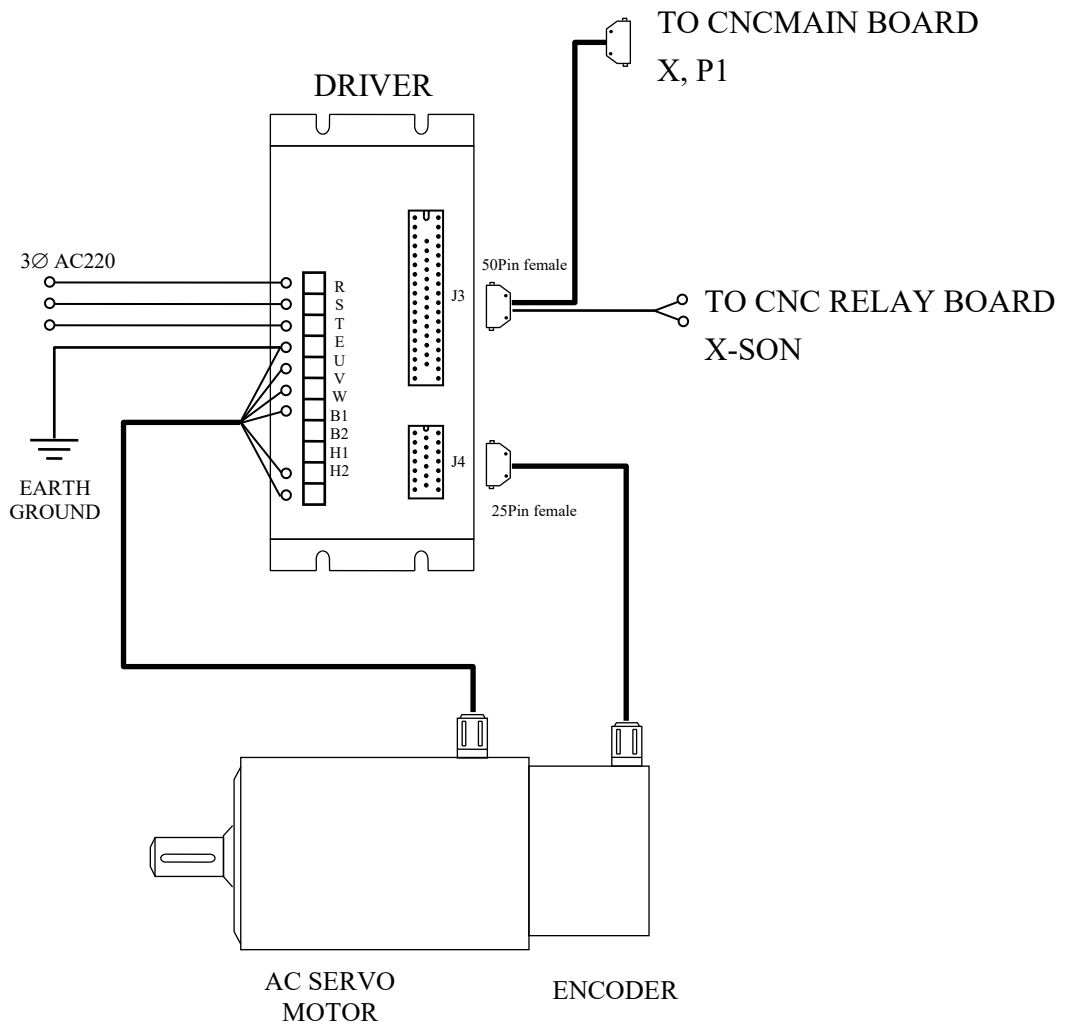


11-SERIES CONNECTING DIAGRAM

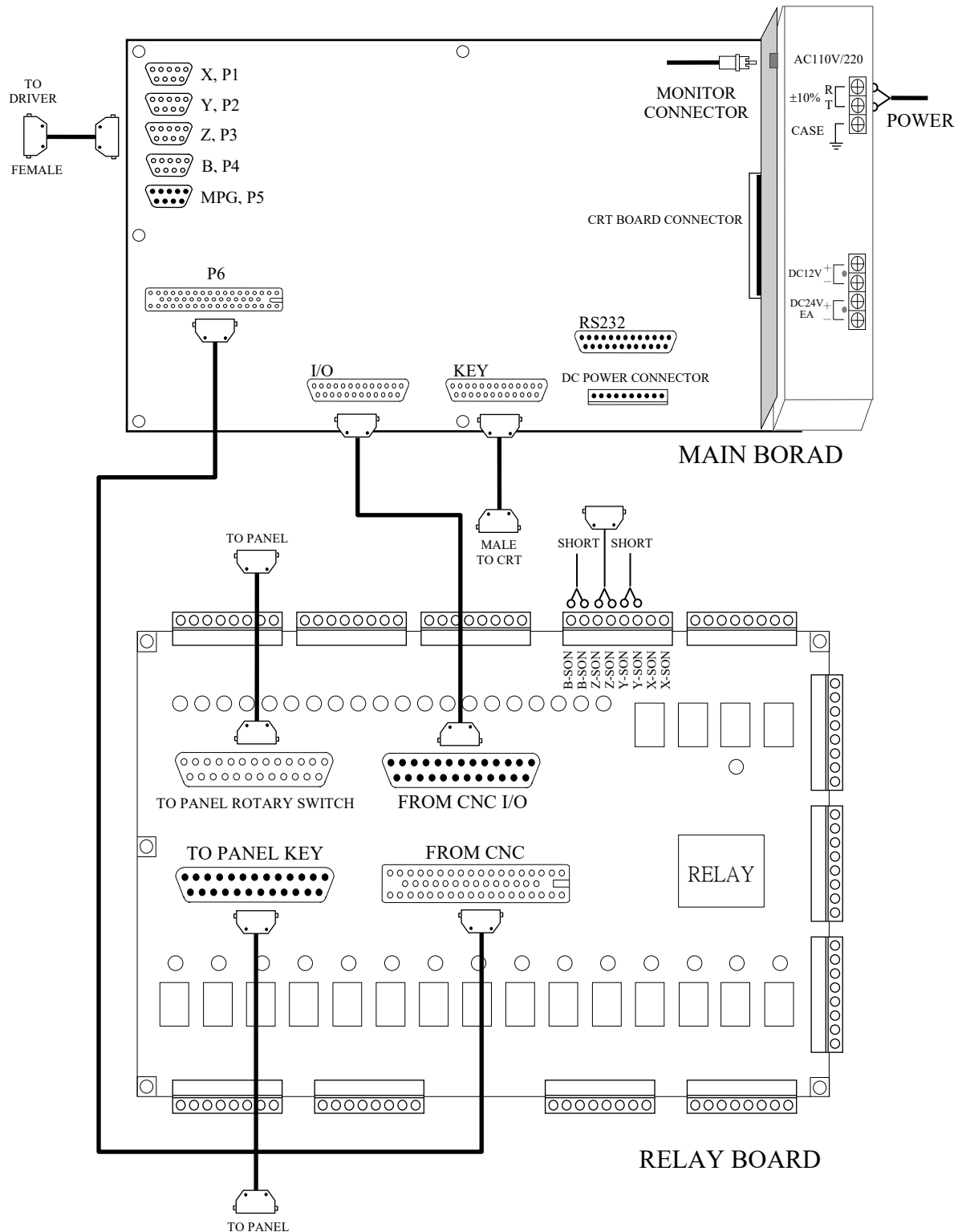
DRIVER TO CNC CONECTING (X AXIS)

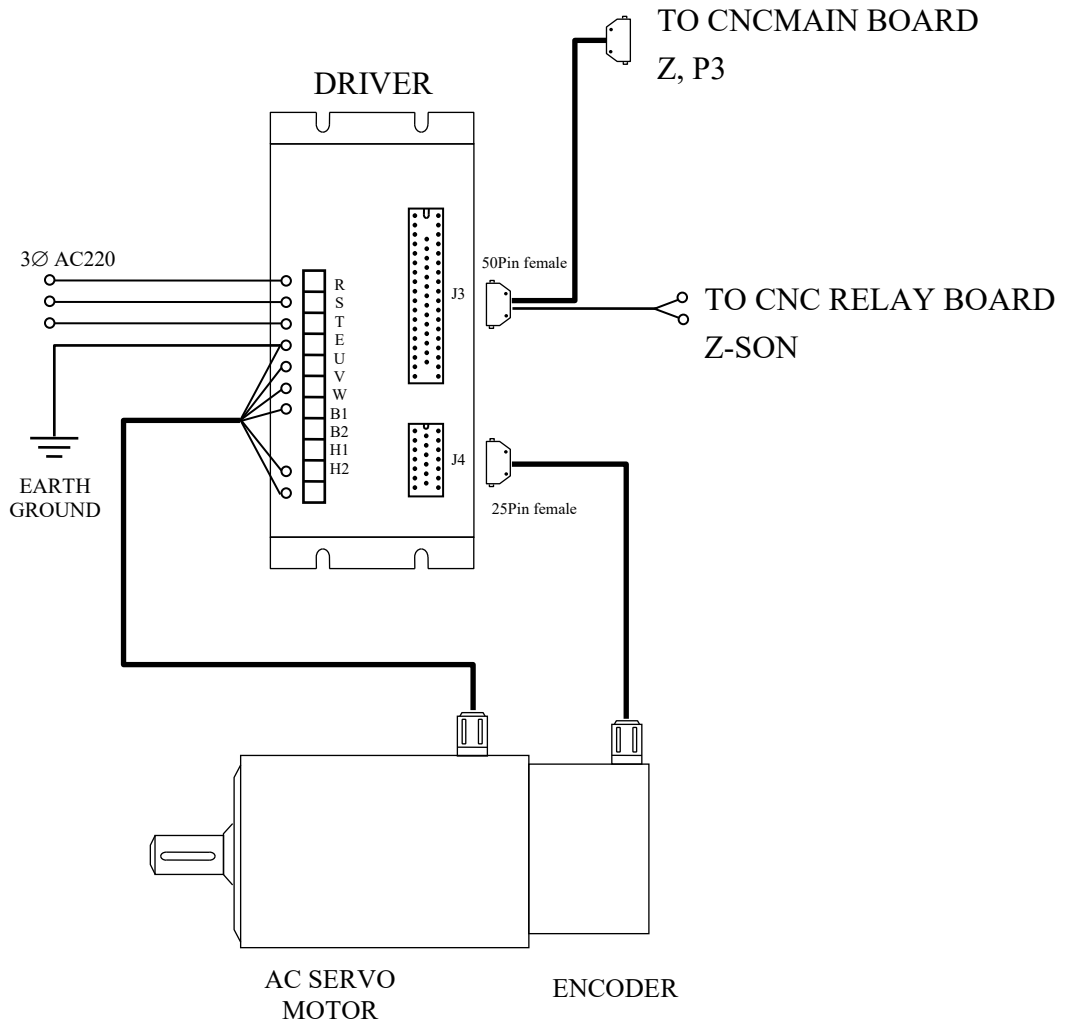


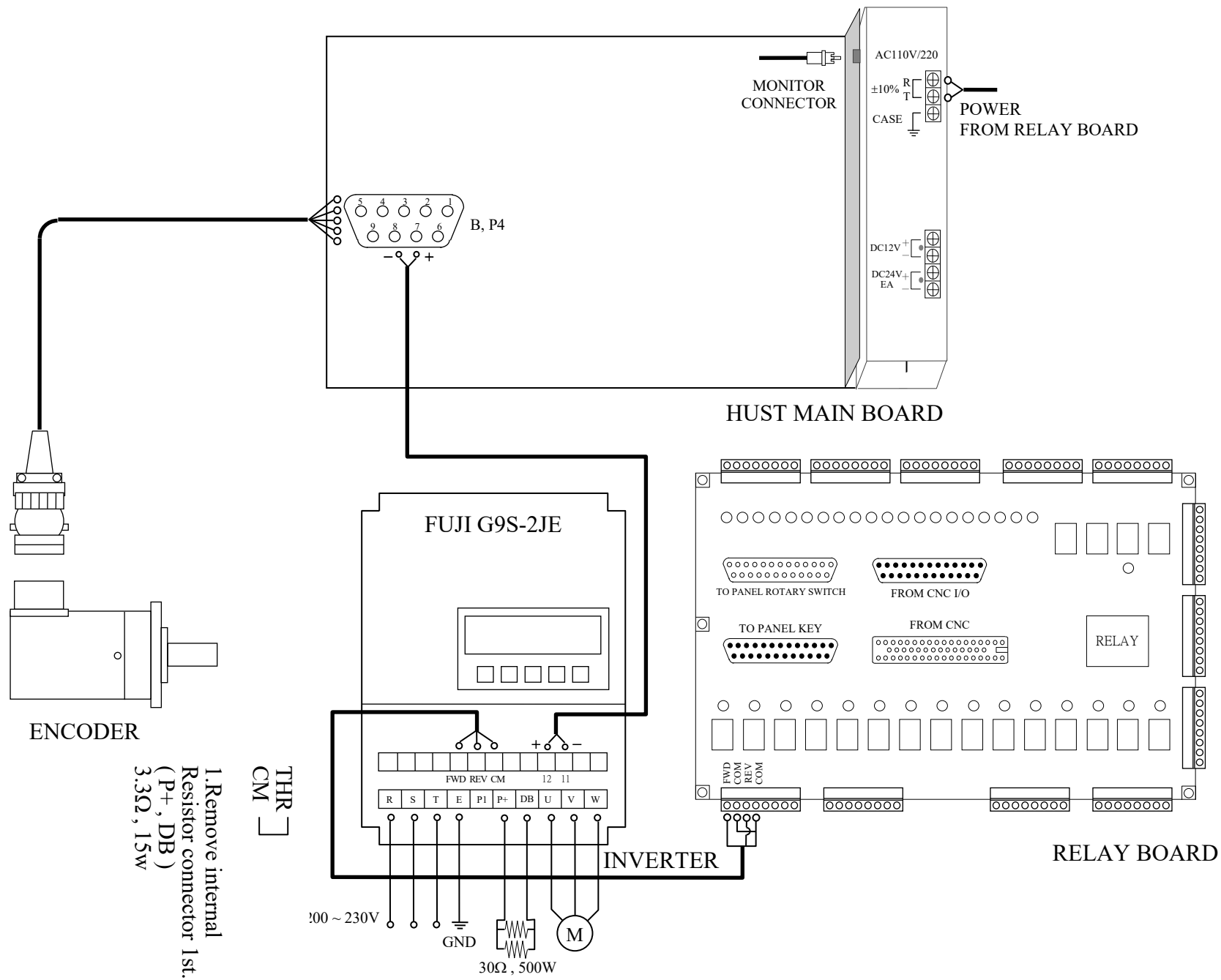


DRIVER TO CNC CONECTING (Z AXIS)

(FIG1)





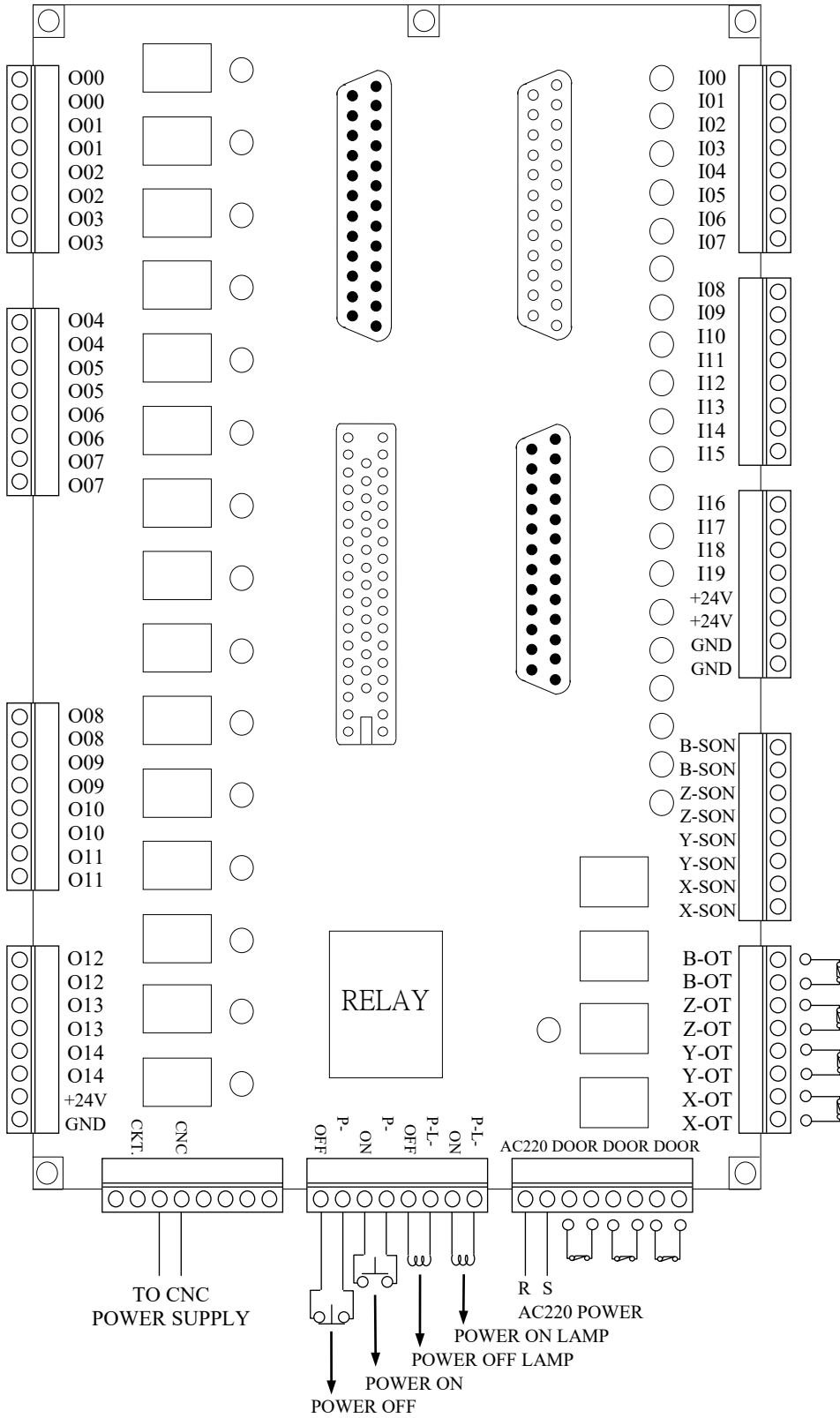


HUST · ENCODER AND INVERTER

SPINDLE CONNECTORS

HUST B,P4	ENCODER	INVERTER
1	A	
2	N	
	C	
4	R	
5	B	
6	P	
7		12
8	(0V) K	11
9	(+5V) H	

I/O RELAY CONNECTING DIAGRAM



PANEL I/O CONNECTING DIAGRAM

